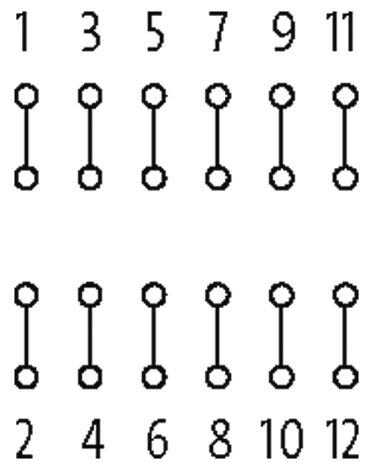
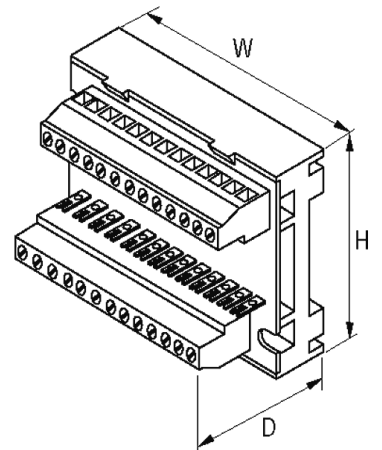
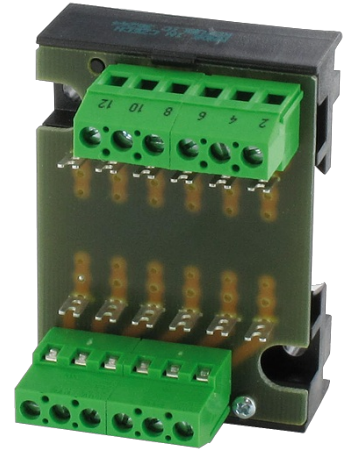


ASSEMBLY MODULE MP 6

Mounting rail / screw-type terminal

6 pairs of solder pins
screw terminals connected to solder pin pairs

Illustration



Product may differ from Image

General data

The information in this brochure has been compiled with the utmost care. Liability for the correctness completeness and topicality of the information is restricted to gross negligence. Version: 10/20

Connection	Screw terminals: max. 4 mm ² , pairs of solder pins (spacing 5 mm)
Mounting method	DIN-rail mountable TH35 or G32 (EN 60715) or screwable
Housing	Plastic, flame retardant. Open design.
Dimensions H×W×D	63×45×36 mm
Temperature range	-20...+60 °C

Technical Data

Operating voltage	max. 250 V AC/DC
Operating current	max. 5 A
Distance of solder pins	24 mm

Commercial data

country of origin	CZ
customs tariff number	85369010
EAN	4048879042277
eClass	27260710
Packaging unit	1